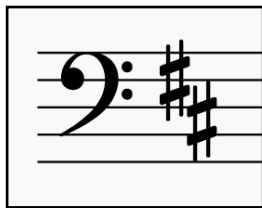


Fingerboard Geography for Cello

- 5 note patterns on each string -

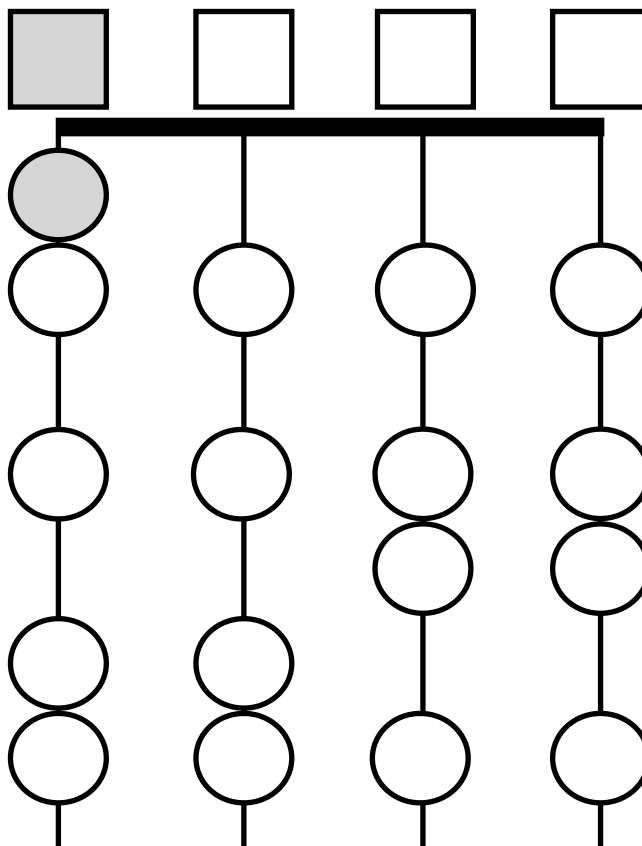
Key of D Major



The key of D Major has 2 sharps: F# and C#.

(Note: Open C-string is not allowed!)

- 1-1 shift on C string
- Forward extension required on C and G-strings

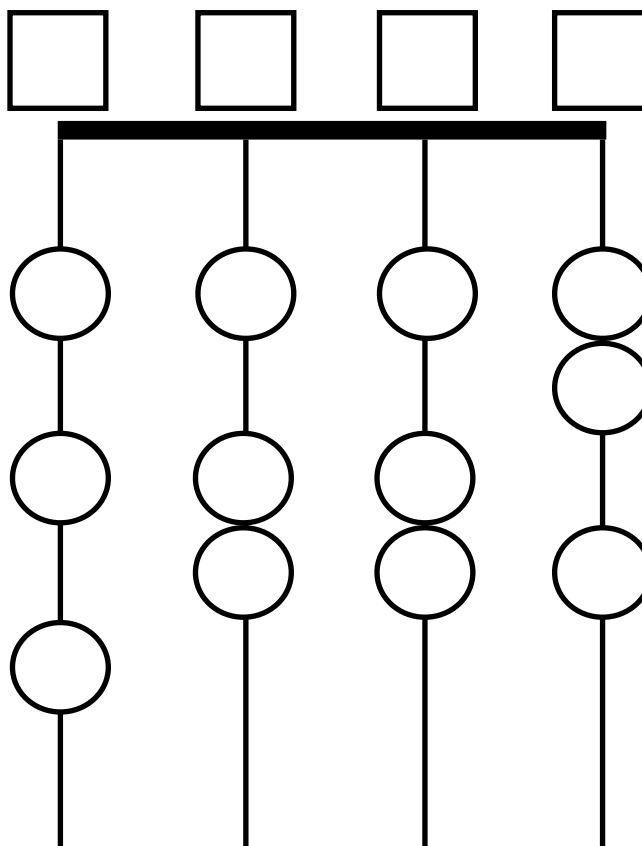


Key of G Major



The key of G Major has 1 sharp: F#.

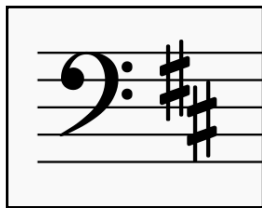
- Forward extension required on C-string.
- 2nd finger required on A string



Fingerboard Geography for Cello

- 5 note patterns on each string -

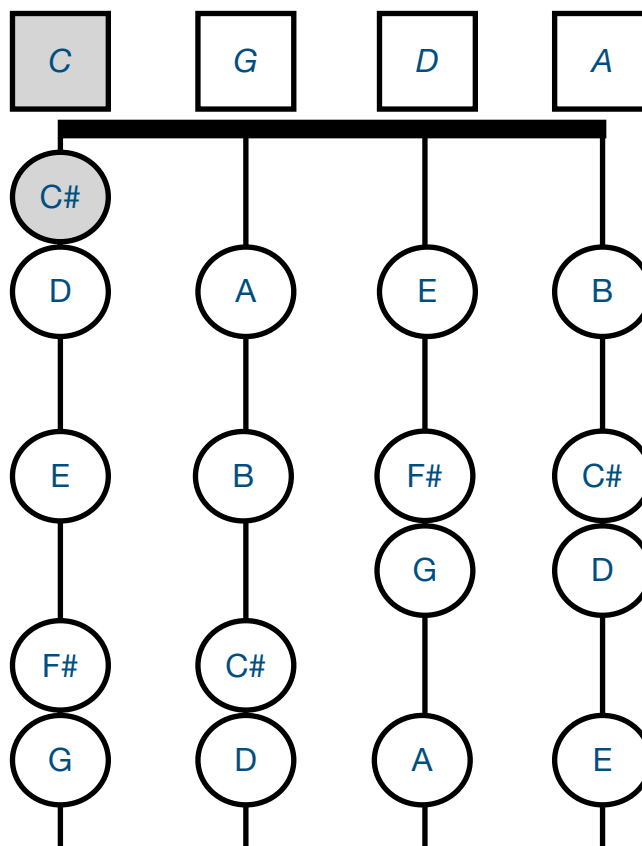
Key of D Major



The key of D Major has 2 sharps: F# and C#.

(Note: Open C-string is not allowed!)

- 1-1 shift on C string
- Forward extension required on C and G-strings

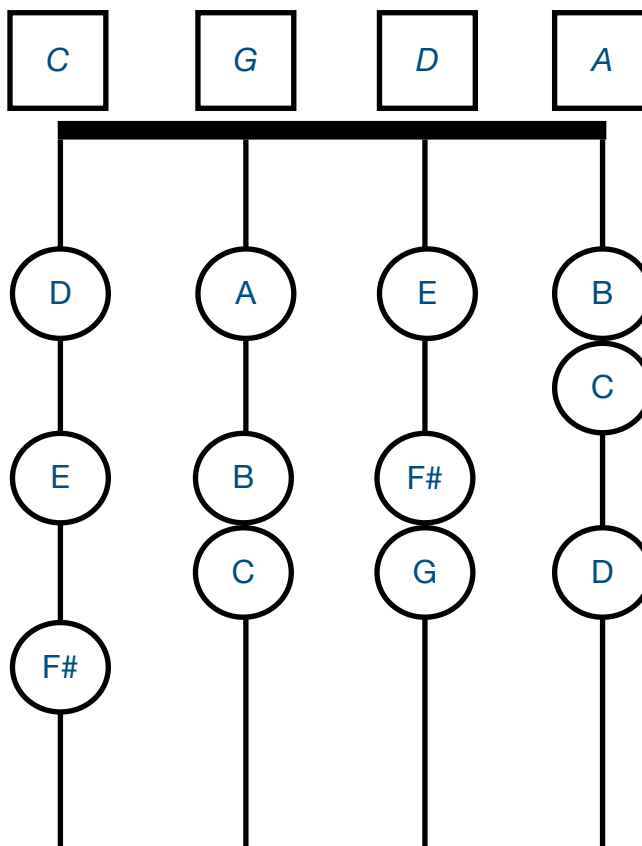


Key of G Major



The key of G Major has 1 sharp: F#.

- Forward extension required on C-string.
- 2nd finger required on A string



Fingerboard Geography for Cello

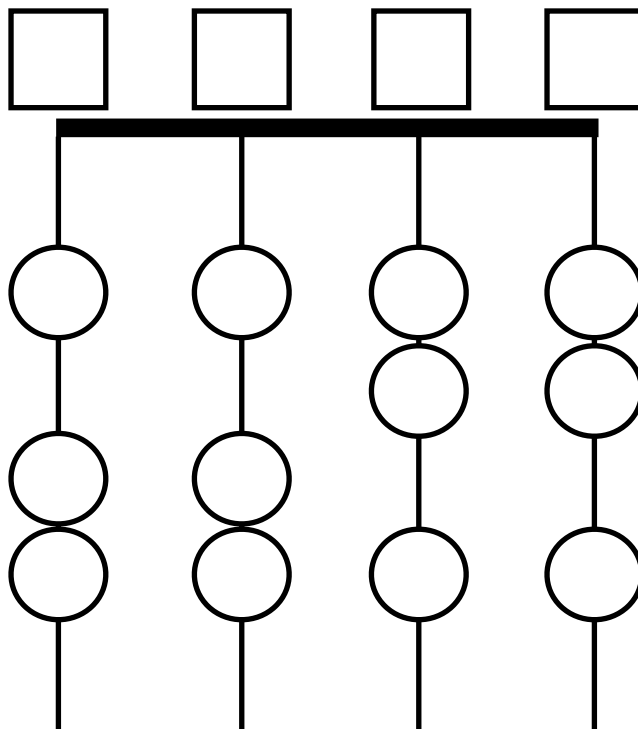
- First Position -

Key of C Major



The key of C Major has no sharps or flats.

- 2nd finger required on D and A-strings.

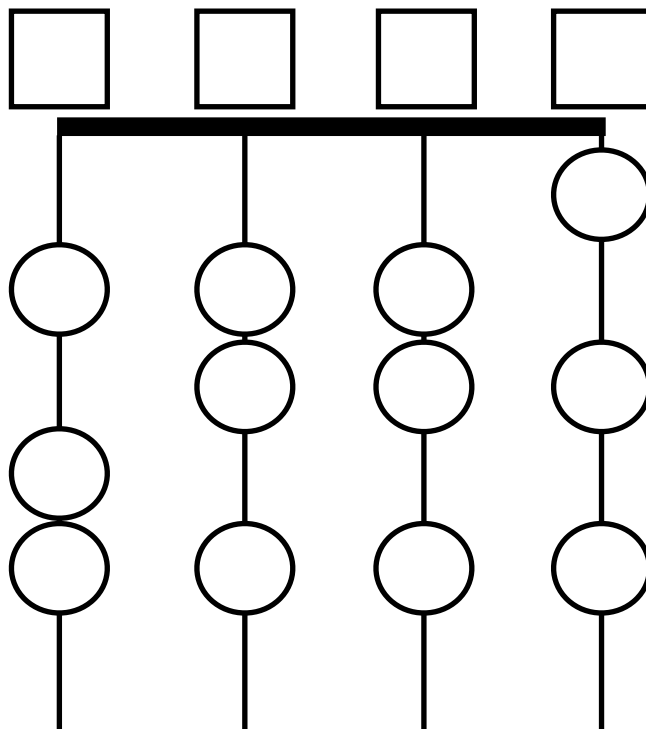


Key of F Major



The key of F Major has 1 flat, B-flat.

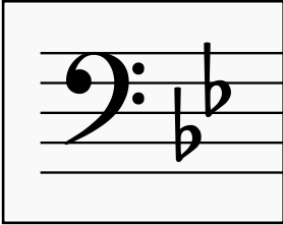
- 2nd finger required on G and D-strings.
- Backward extension required on A string.



Fingerboard Geography for Cello

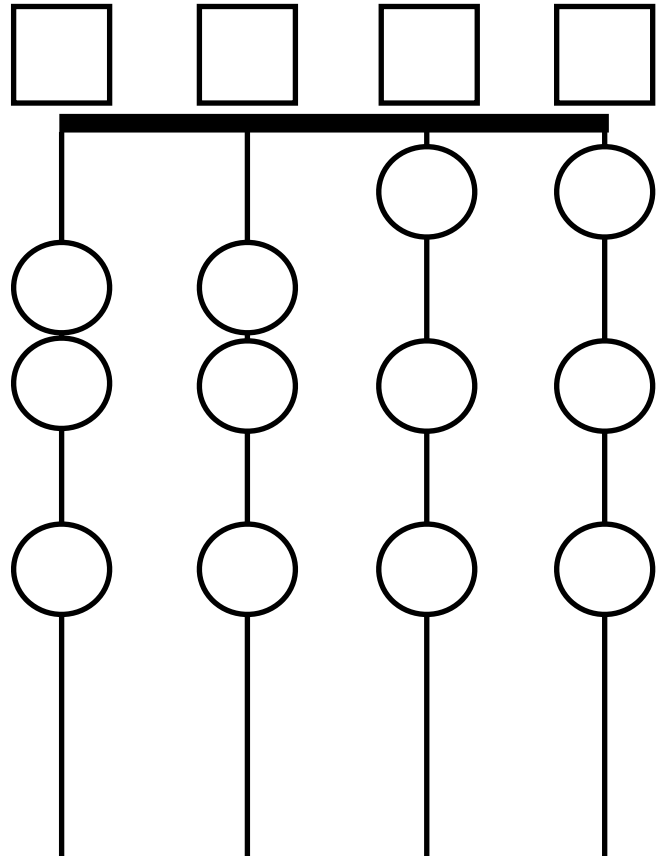
- First Position -

Key of B-Flat Major

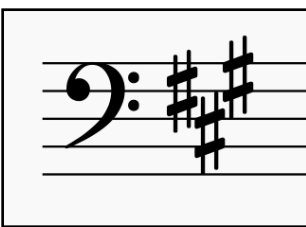


The key of B-flat Major has 2 flats: B-flat and E-flat.

- 2nd finger required on C and G strings.
- Backward extension required on D and A-strings.



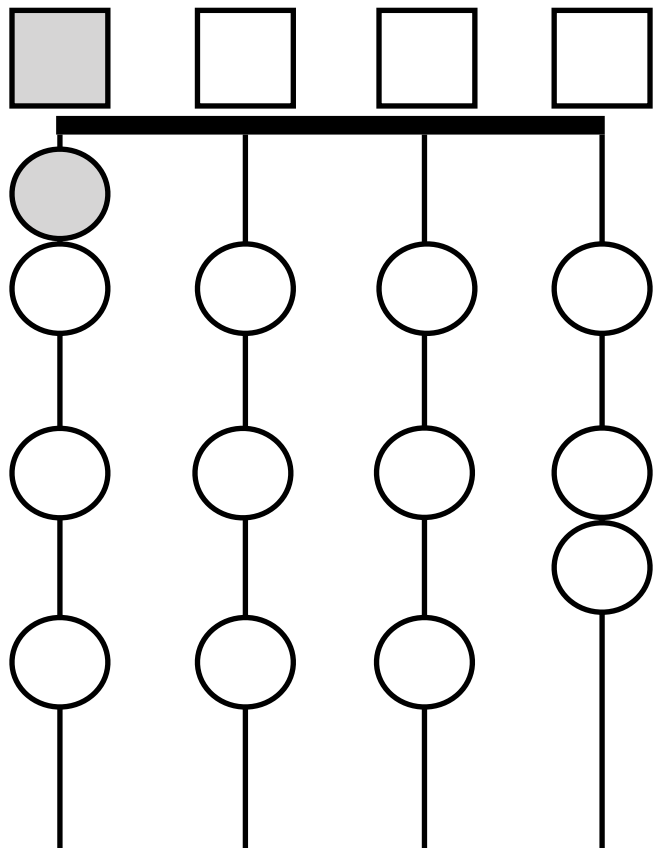
Key of A Major



The key of A Major has 3 sharps: F#, C#, and G#.

(Note: Open C-string is not allowed!)

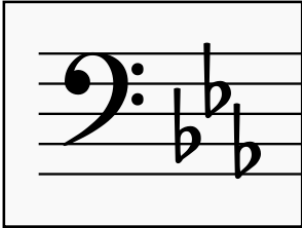
- 1-1 shift on C string
- Forward extension required on C, G, and D-strings.



Fingerboard Geography for Cello

- First Position -

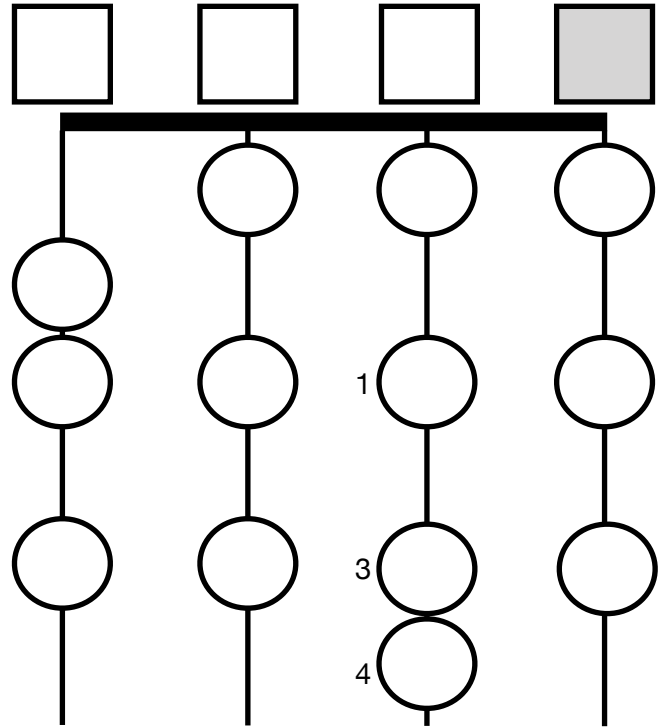
Key of E-flat Major



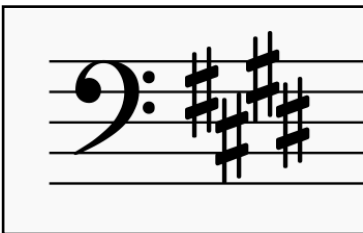
The key of E-flat Major has 3 flats: B-flat, E-flat, and A-flat.

(Note: Open A string is not allowed!)

- Requires backward extension on G, D, and A-strings
- Requires shift to 2nd position on D-string to play the A-flat.

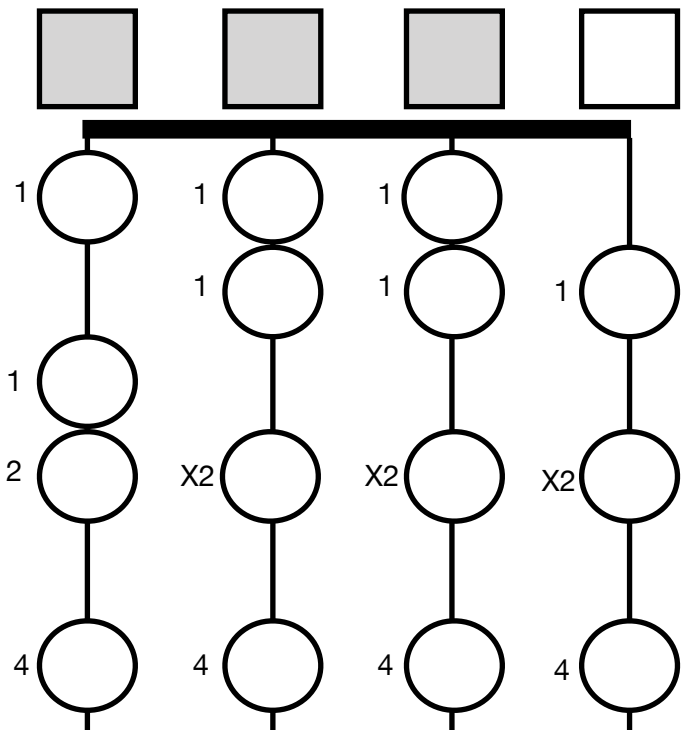


Key of E Major



The key of E Major has 4 sharps: F#, C#, G#, and D#. *(Note: Open C, G and D-strings are not allowed!)*

- Requires backward extension on G, D, and A-strings
- Requires shift to 2nd position on C string.
- Requires 1-1 shift and forward extension on G and D-strings.
- Requires forward extension on A-string.



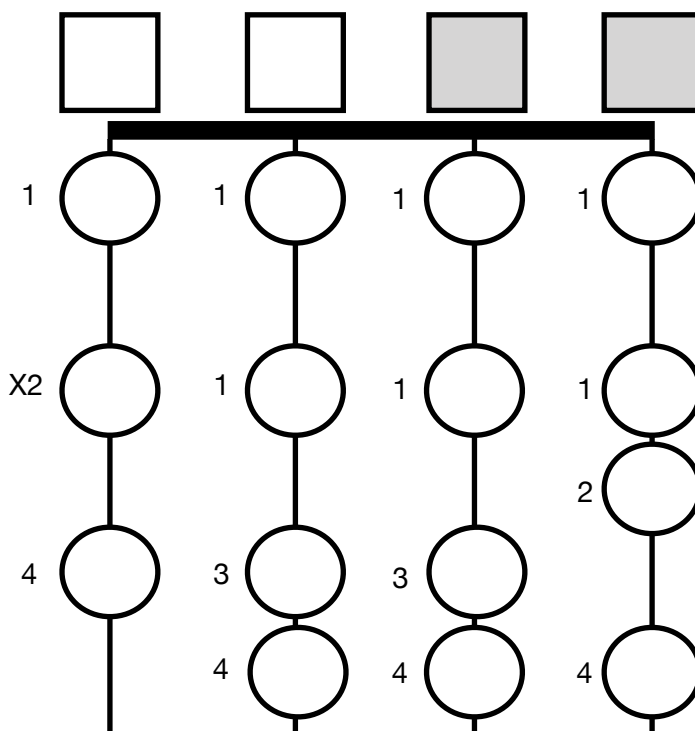
Fingerboard Geography for Cello

- First Position -

Key of A-Flat Major



The key of A-flat Major has 4 flats: B-flat, E-flat, A-flat and D-flat. (Open A, and D strings are not allowed!)



Chromatics

Fill in ALL of the notes on your fingerboard, in half-steps.

Remember the natural half-steps: E-F and B-C.

There are many fingering choices for the chromatic scale.

